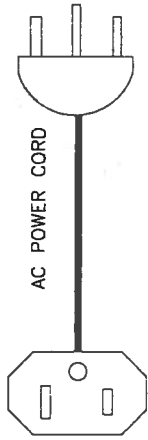
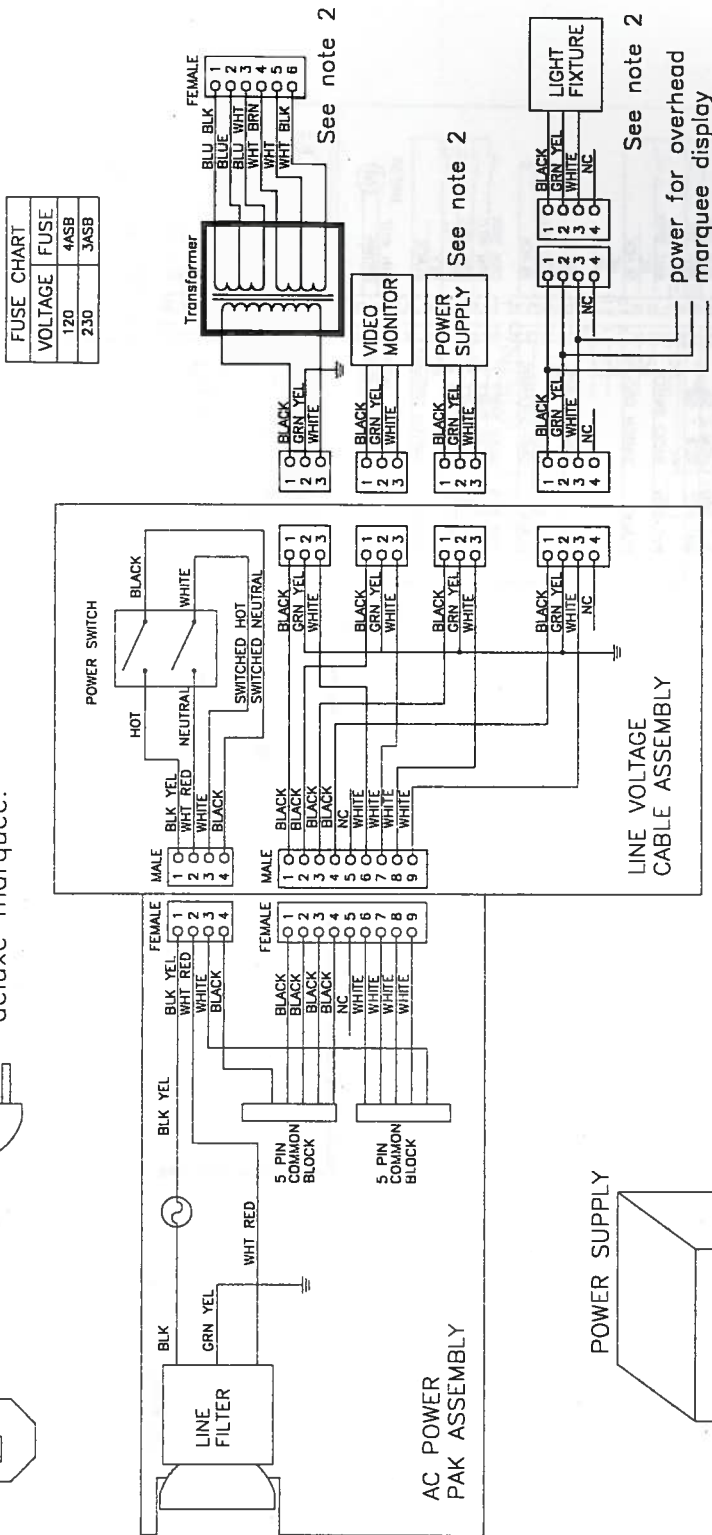


# POWER WIRING DIAGRAM



Showing where to tap power for optional deluxe marquee.

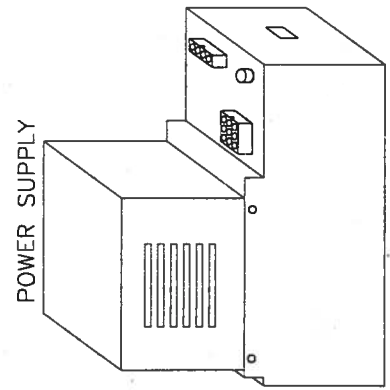


FUSE CHART	
VOLTAGE	FUSE
120	4ASB
230	3ASB

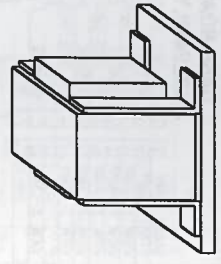
NOTE 1: All Earth Ground Wires (green-yellow) connect to grounding stud on power Chassis assembly.

NOTE 2: There are 3 things that must be changed for 220V 50 Hz Operation.

1. Transformer
2. Fluorescent Ballast
3. Jumper Switch on Power Supply



POWER CHASIS ASSEMBLY



TRANSFORMER