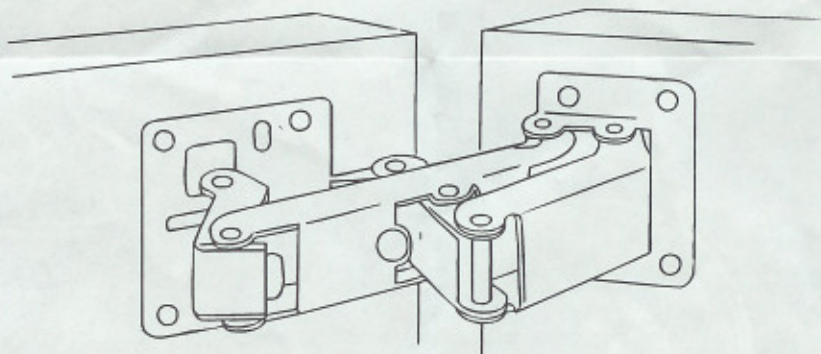


# 175° Fully Concealed Hinge

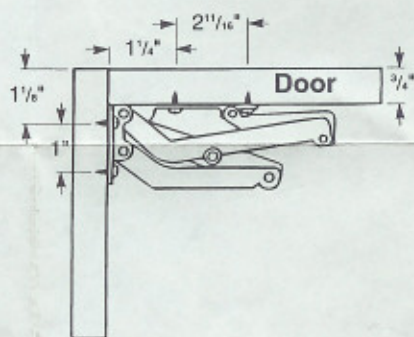
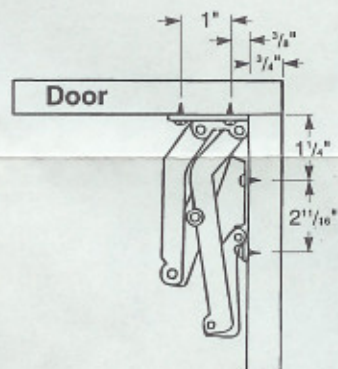
## Instructions

1. Using hinge or the reference dimensions indicated, mark the cabinet wall and door back.
2. Drill the pilot holes for the screws and mount the hinges to the wall.
3. Drill the pilot holes for the door and mount the door to the hinges.
4. Adjust as necessary to align door to cabinet. Tighten all the screws.



Overlay

Inset



**ROCKLER®**

WOODWORKING AND HARDWARE

